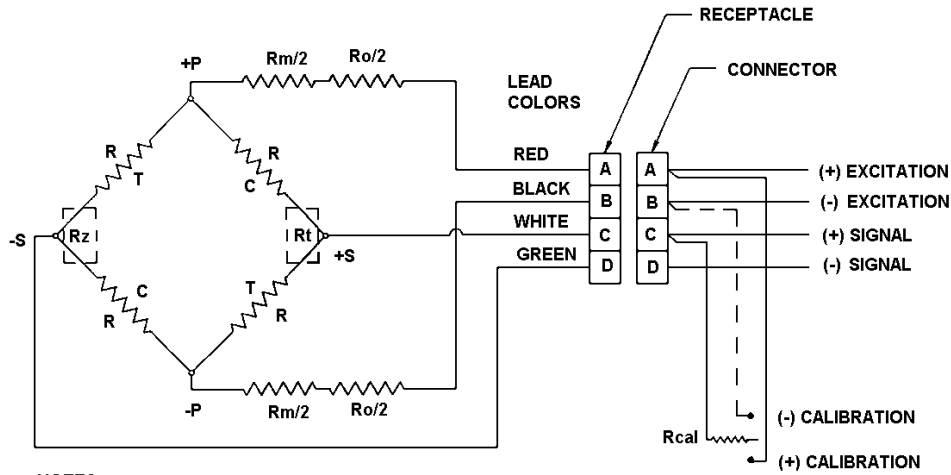


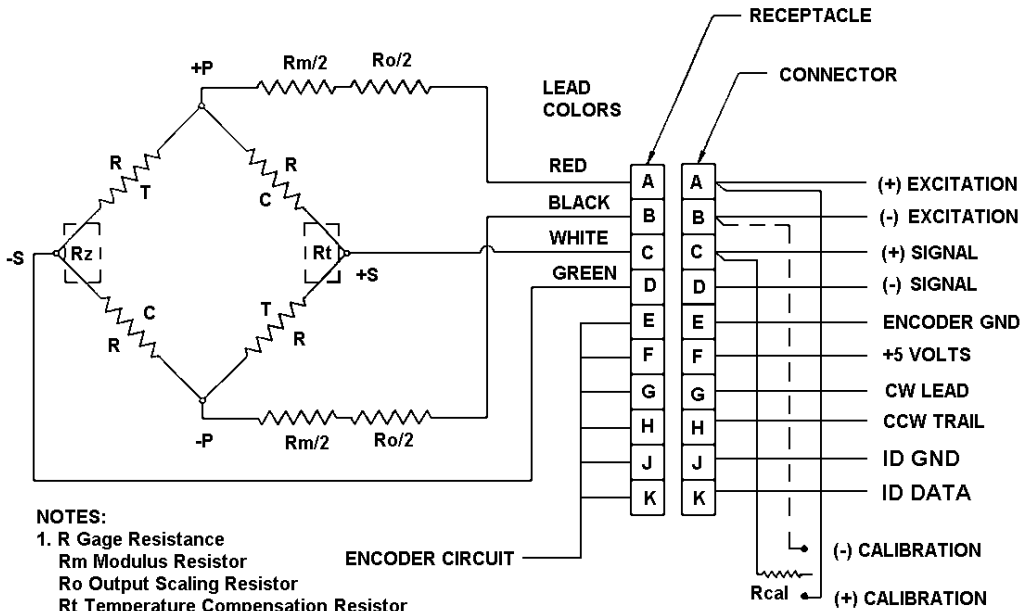
# Wiring Standards 4-Pin and 10-Pin Connectors



**NOTES:**

1. R Gage Resistance  
Rm Modulus Resistor  
Ro Output Scaling Resistor  
Rt Temperature Compensation Resistor  
Rz Zero Balance Resistor
2. Ro and Rm may be omitted.
3. Colors denote wiring connections for captive cable sensors.
4. (-) Calibration applies only to bi-directional sensors.

**Mating Connector Bendix PT06A-8-4(SR)**  
**Model 42420-000600**



**NOTES:**

1. R Gage Resistance  
Rm Modulus Resistor  
Ro Output Scaling Resistor  
Rt Temperature Compensation Resistor  
Rz Zero Balance Resistor
2. Ro and Rm may be omitted.
3. Colors denote wiring connections for captive cable sensors.
4. (-) Calibration applies only to bi-directional sensors.

**Mating Connector: Bendix PT06A-12-10S(SR)**  
**Model 42420-000630**